

# Model HC2 Horizontal Ceiling Mount Blower

## OPTIONS:

- Air Conditioning (R134a) only.
- 12 or 24 Volt.
- Fresh Air Filter Kit available.
- Shock Mount Kit available.

## FEATURES:

- Housing is made of 16 gauge steel with black powder coat finish.
- Three adjustable flow and directional louvers.
- Recirculated air with re-usable filter.
- Easy access for installing and servicing.
- Rotary controls with 3-speed fan.
- Clearly labeled wiring.
- Block style expansion valve.
- Connections: Use AC = #6 and #10 Male O-ring fittings; Condensate = 1/4" male NPT fittings (2X).

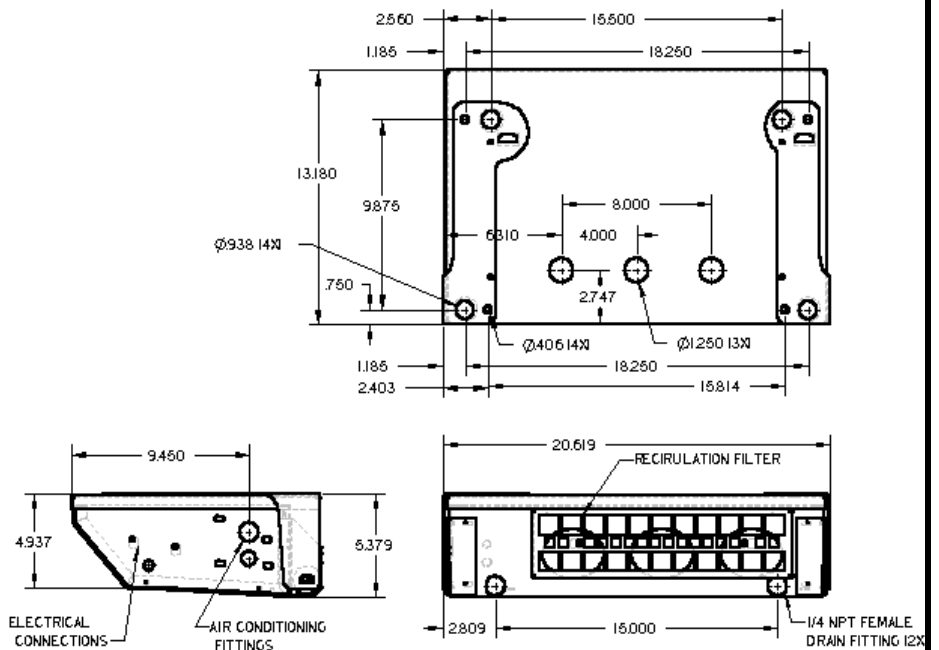


## SPECIFICATIONS\*:

Cooling Capacity (BTU/h)	15000
Heating Capacity (coolant) (BTU/h)	N/A
Heating Capacity (oil) (BTU/h)**	N/A
Air Flow (CFM)	220
Current -12V (Amps)	14
Current-24V (Amps)	8
Weight (Lbs.)	31

\*See "Specifications at a Glance" for more detail.

\*\*Comment: Oil Heat Capacity usually limited by horsepower provided by machine.



All illustrations and specifications are not binding in detail, designs are subject to modifications and improvements where necessary.



1201 Marcus St. • Fairmont, MN 56031  
 Phone: (507) 238-9051 • 800-533-2819 • FAX (507) 238-9998

# Model HC7 Horizontal Ceiling Mount Blower

## OPTIONS:

- Air Conditioning (R134a) with and without Water Heat.
- 12 or 24 Volt.
- Fresh Air Filter kit available.
- Shock mount kit available.

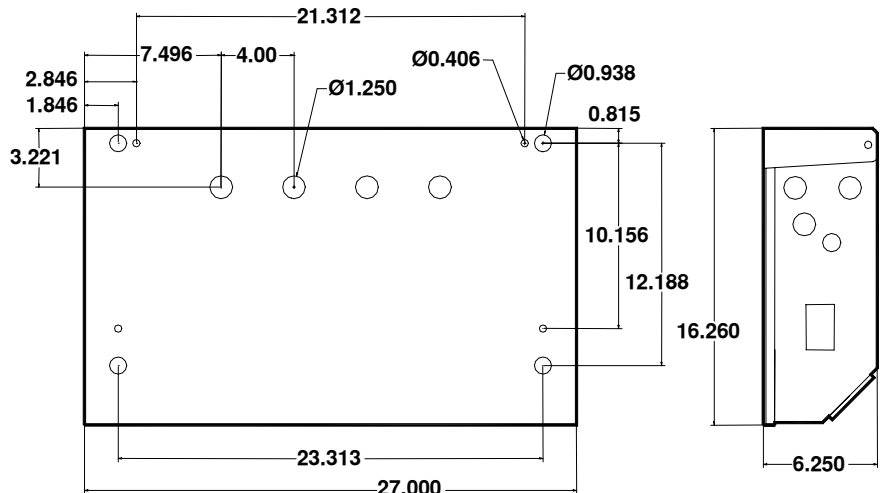
## FEATURES:

- Housing is made of 16 gauge steel with black powder coat finish.
- Three adjustable flow and directional louvers.
- Easy access for installing and servicing.
- Recirculated air with re-usable filter.
- Clearly labeled wiring.
- Rotary Controls for Cooling Temperature, Heat valve and Fan Speed.
- Three speed Fan.
- Block style expansion valve.
- Connections: Use AC = #6 and #10 Male O-ring fittings; Heat (water) = 5/8" ID hose; Condensate = 1/4" male NPT fittings (2X).



## SPECIFICATIONS\*:

Cooling Capacity (BTU/h)	22000
Heating Capacity (coolant) (BTU/h)	32000
Heating Capacity (oil) (BTU/h)**	N/A
Air Flow (CFM)	340
Current -12V (Amps)	18
Current-24V (Amps)	9
Weight (Lbs.)	48
*See "Specifications at a Glance" for more detail.	
**Comment: Oil Heat Capacity usually limited by horsepower provided by machine.	



All illustrations and specifications are not binding in detail, designs are subject to modifications and improvements where necessary.

# Model VW3 Vertical Wall Mount Blower

## OPTIONS:

- Air Conditioning (R134a) with or without Water or Hydraulic Heat (Compact AC Only also available)
- 12 or 24 Volt
- Side vents or ducts.
- Fresh air capabilities.

## FEATURES:

- Housing is made of 16 gauge steel with black powder coat finish .
- Three adjustable flow and directional louvers.
- Recirculated air with re-usable filter.
- Clearly Labeled wiring.
- Rotary controls both A/C and Heat.
- Water Heat Valve included.
- Three speed rotary fan switch.
- Block style expansion valve.
- Connections: Use AC = Use #6 and #10 Male O-ring fittings; Heat (coolant) = 5/8" ID heater hose; Heat (oil) = #8 Female JIC fittings (2x); Condensate = 1/2" ID tube (2x).

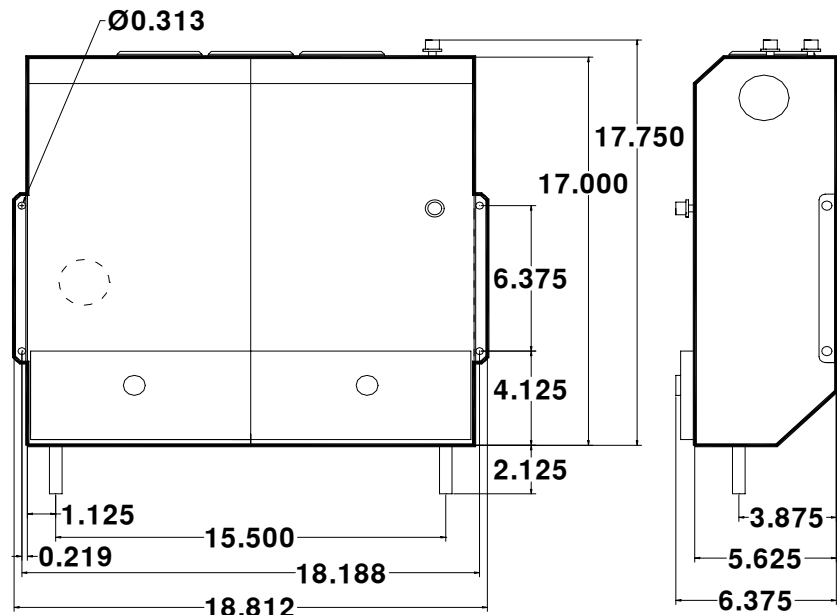


## SPECIFICATIONS\*:

Cooling Capacity (BTU/h)	19800
Heating Capacity (coolant) (BTU/h)	25500
Heating Capacity (oil) (BTU/h)**	14000
Air Flow (CFM)	300
Current -12V (Amps)	13.5
Current-24V (Amps)	7
Weight (Lbs.)	33.5

\*See "Specifications at a Glance" for more detail.

\*\*Comment: Oil Heat Capacity usually limited by horsepower provided by machine.



All illustrations and specifications are not binding in detail, designs are subject to modifications and improvements where necessary.



1201 Marcus St. • Fairmont, MN 56031  
 Phone: (507) 238-9051 • 800-533-2819 • FAX (507) 238-9998

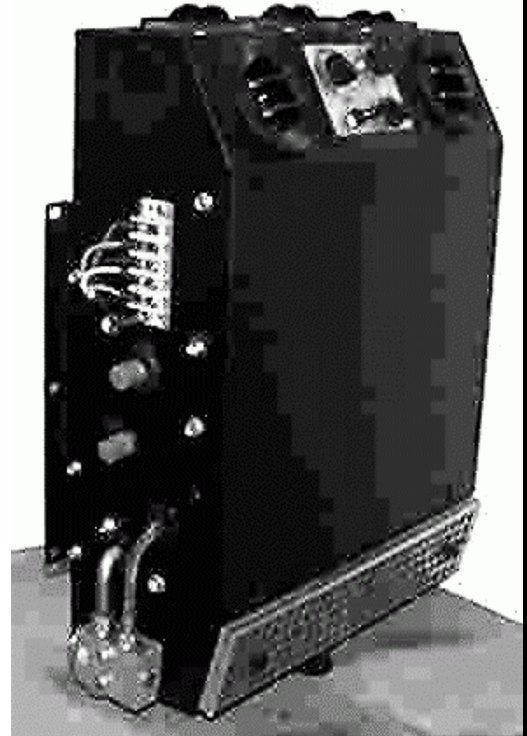
# Model VW7 Vertical Wall Mount Blower

## OPTIONS:

- AC Only, Heat Only-Water or Oil, or Combo
- 12 or 24 Volt.
- Outlet Air duct capabilities.
- Fresh Air capabilities.
- Remote switch-options.

## FEATURES:

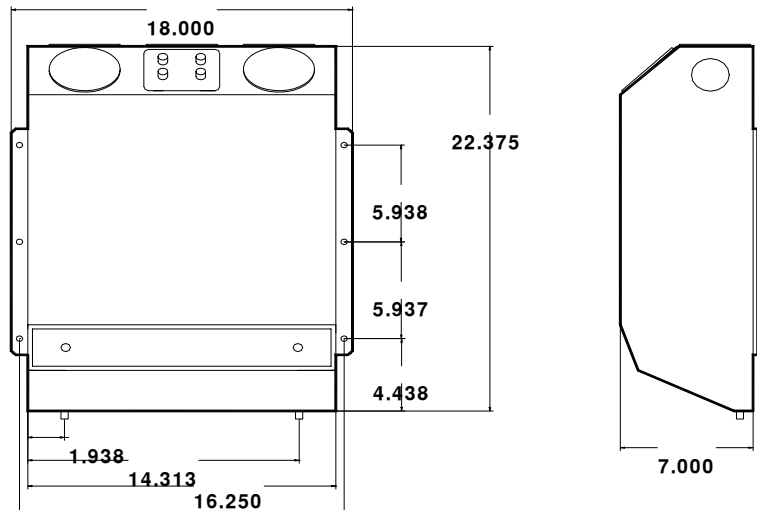
- Housing is made of 16 gauge steel with black powder coat finish.
- Recirculated air w/ re-useable filter.
- Five adjustable flow and directional louvers.
- Rotary controls for AC, Heat and 3-speed fan.
- Water Valve included.
- Side cover. (not shown)
- Block style expansion valve.
- Clearly Labeled wiring.
- Connections: Use AC = #6 and #10 Male O-ring fittings; Heat (coolant) = 5/8" ID heater hose and Heat (oil)= #8 Female JIC fittings (2x); Condensate = 1/2" ID tube (2x).



## SPECIFICATIONS\*:

Cooling Capacity (BTU/h)	21000
Heating Capacity (coolant) (BTU/h)	30000
Heating Capacity (oil) (BTU/h)**	20000
Air Flow (CFM)	350
Current -12V (Amps)	18
Current-24V (Amps)	9.0
Weight (Lbs.)	50

\*See "Specifications at a Glance" for more detail.  
 \*\*Comment: Oil Heat Capacity usually limited by horsepower provided by machine.



All illustrations and specifications are not binding in detail, designs are subject to modifications and improvements where necessary.



1201 Marcus St. • Fairmont, MN 56031  
 Phone: (507) 238-9051 • 800-533-2819 • FAX (507) 238-9998

# Model VR8 Vertical Remote Mount Blower

## OPTIONS:

- AC Only, Heat Only-Water or Oil, or Combo.
- 12 or 24 Volt.
- Remote Switch Kit.
- Cab Console Kit.

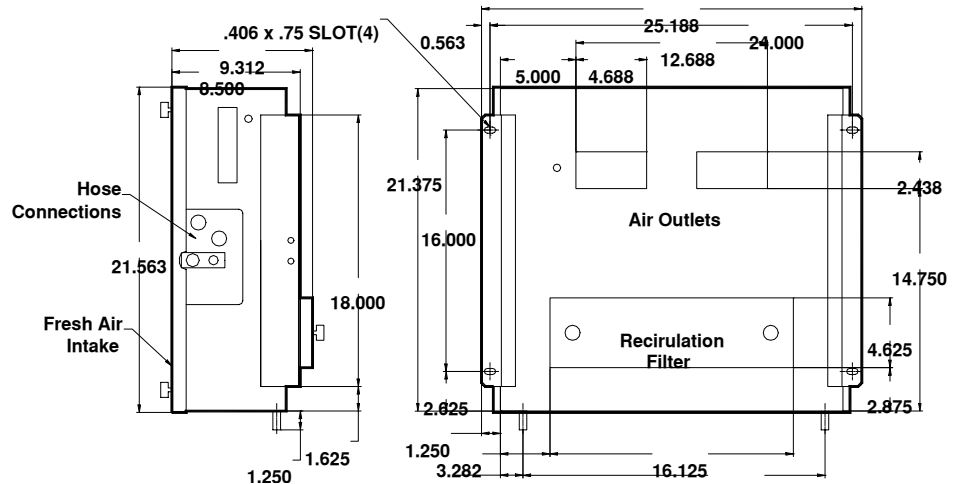
## FEATURES:

- External Wall Mounted w/ Brackets as shown.
- Housing is made of 16 gauge steel with black urethane powder coat finish.
- Filtered fresh and recirculated air.
- Easy cover removal.
- Available-Cab Console with rotary controls for AC, Heat and 3 speed fan; also four adjustable flow and directional louvers (not shown).
- Clearly labeled wiring.
- Connections: Use A/C = #6 and #10 Male O-ring fittings; Heat (oil) = #8 JIC female fittings (2x); Heat (water)=5/8 ID Hose; Condensate = 1/2 ID tube (2x).



## SPECIFICATIONS\*:

Cooling Capacity (BTU/h)	25000
Heating Capacity (coolant) (BTU/h)	45000
Heating Capacity (oil) (BTU/h)**	24000
Air Flow (CFM)	490
Current -12V (Amps)	19
Current-24V (Amps)	10
Weight (Lbs.)	63
*See "Specifications at a Glance" for more detail.	
**Comment: Oil Heat Capacity usually limited by horsepower provided by machine.	



All illustrations and specifications are not binding in detail, designs are subject to modifications and improvements where necessary.



1201 Marcus St. • Fairmont, MN 56031  
 Phone: (507) 238-9051 • 800-533-2819 • FAX (507) 238-9998

# Model VB7 Vertical Base Mount Blower

## OPTIONS:

- Air Conditioning (R134a) with or without Water Heat.
- 12 or 24 Volt.
- Fresh Air Capabilities.
- Custom mounting bases: angled or straight (shown below).
- Wall or floor mount brackets.
- Custom Remote Control Kits.



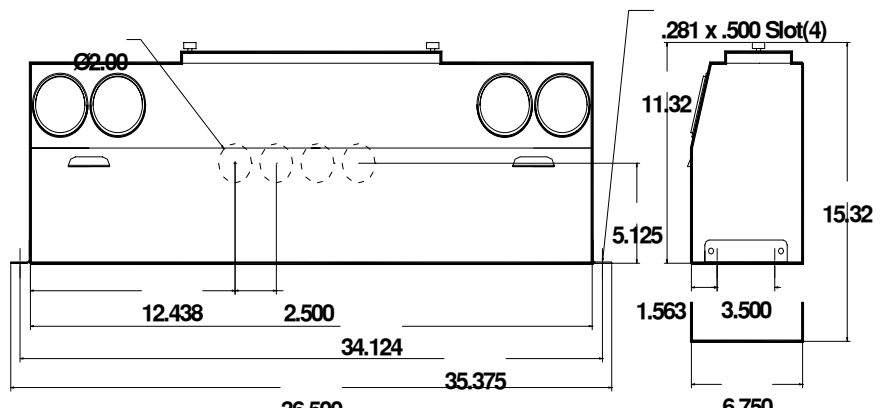
## FEATURES:

- Housing is made of 16 gauge steel with black powder coat finish.
- Recirculated Air with re-usable filter.
- Four adjustable flow and directional louvers.
- Remote mount controls and fixed AC thermostat.
- Clearly labeled wiring.
- Block style expansion valve.
- Hidden hose and electrical connections.
- Connections: Use AC = #6 and #10 Male O-ring fittings; Heat (water)= 5/8" ID hose (2x); Condensate = 1/2" tube (2x).



## SPECIFICATIONS\*:

Cooling Capacity (BTU/h)	20000
Heating Capacity (coolant) (BTU/h)	26500
Heating Capacity (oil) (BTU/h)**	N/A
Air Flow (CFM)	325
Current -12V (Amps)	20
Current-24V (Amps)	11
Weight (Lbs.)	53; 60 w/ base
*See "Specifications at a Glance" for more detail.	
**Comment: Oil Heat Capacity usually limited by horsepower provided by machine.	



All illustrations and specifications are not binding in detail, designs are subject to modifications and improvements where necessary.